



# HS ALLEGRA 30

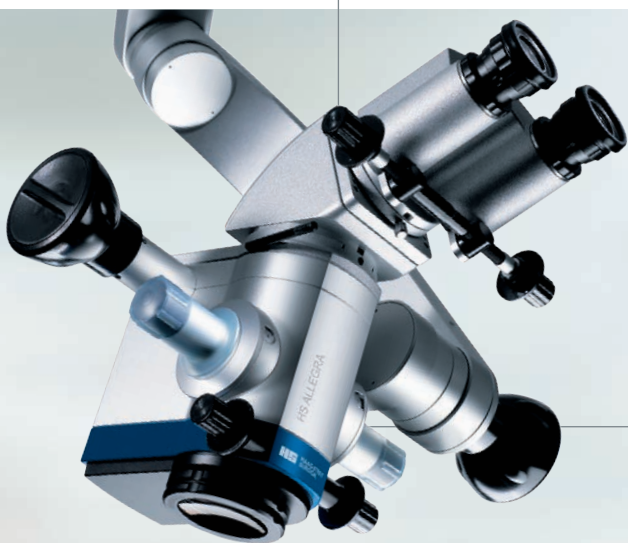
For viewing into deep cavities



**Tradition and innovation** – Since 1858 visionary thinking and a fascination with technology have guided us to develop innovative products of outstanding reliability: Anticipating trends to improve quality of life.

 **HAAG-STREIT**  
SURGICAL

# Enjoy Microsurgery



## OUR HIGHLIGHTS:

HS ALLEGRA 30 is optimized for dental surgery and ENT examinations. Its apochromatic optics provides perfect color fidelity, strong contrast, and high resolution. The large stereo base of 25 mm results in an exceptional depth perception.

Factory-preadjusted mechanical soft-glide brakes provide extremely high movability of the microscope with only minimal force and safe stability in the working position. A 5-step magnification changer and a fine focus adjustment are integrated in the HS ALLEGRA 30. For better access of the assistant on the left, the microscope arm is mounted at the right side.



Fix 60° eyepiece head,  
rotatable

Optional: integrated or  
external camera, e.g.  
C.MOR HD

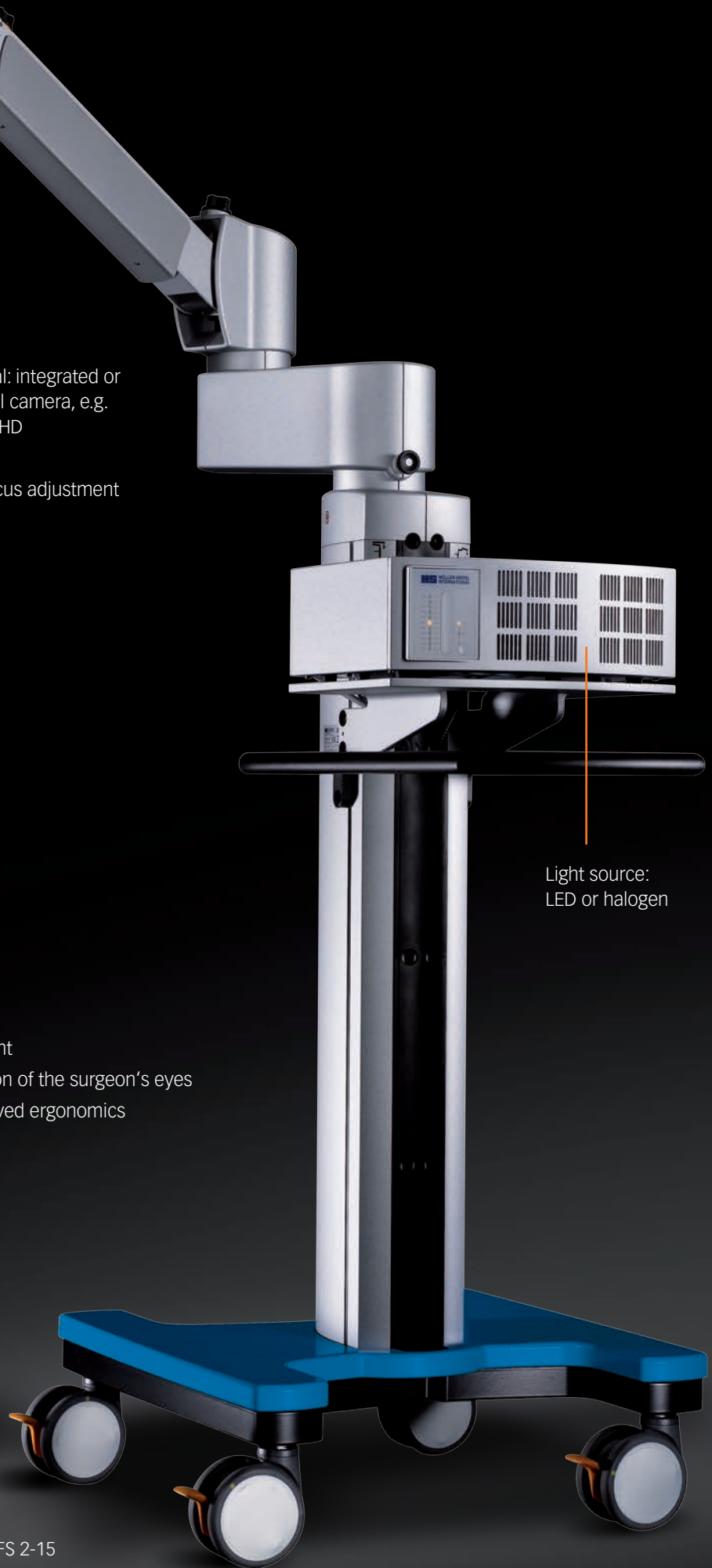
Fine focus adjustment

UV protection filter

Light source:  
LED or halogen

- » Soft-glide brakes for easy movement
- » Incorporated filters for UV protection of the surgeon's eyes
- » Rotatable eyepiece head for improved ergonomics
- » Wide range of imaging equipment

HS ALLEGRA 30  
on floor stands FS 2-11 / FS 2-15





## Options, light & accessories

With the support of two ergonomic handles HS ALLEGRA 30 rotates cardanically around its center of gravity. This construction provides permanent balance of the microscope.

As a standard HS ALLEGRA 30 is equipped with a fix 60° eyepiece head. This, however, can be disassembled. By removing the 60° adapter, a straight 0° view is possible – e.g. for ENT procedures. The 60° adapter contains a rotatable ring to move the oculars into a horizontal position even when the microscope is tilted sideways. Additionally, the standard eyepiece head can be exchanged by a 160° inclinable one.

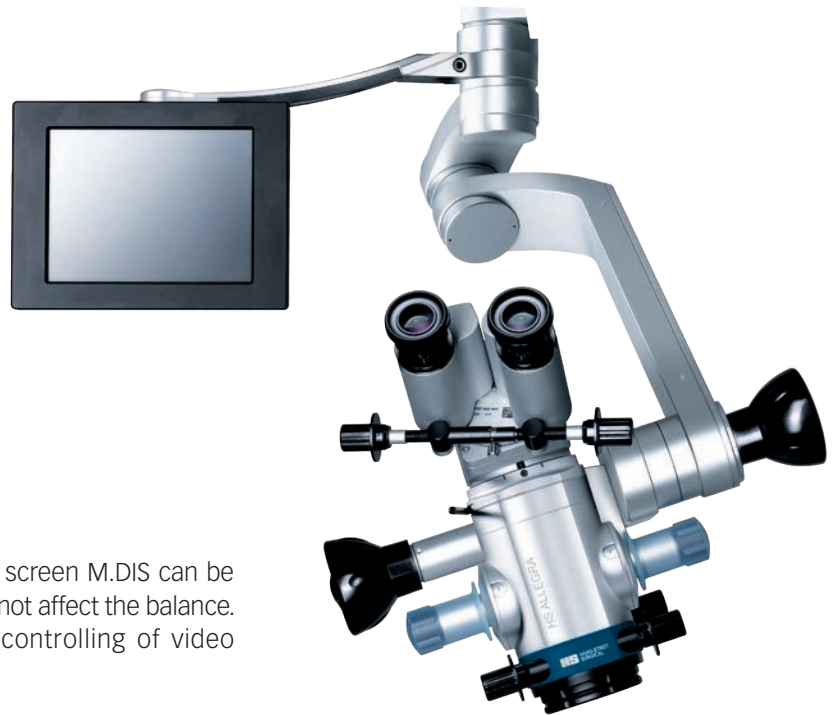
The inclination angles of  $-55^{\circ}$  to  $+95^{\circ}$  and the lateral tilt of  $\pm 45^{\circ}$  provide optimal illumination and recognition of deep cavities and small canals.



HS ALLEGRA 30  
with 60° eyepiece head



HS ALLEGRA 30 with C.MOR HD  
and 160° eyepiece head



For coobservation the high resolution touch screen M.DIS can be mounted to the microscope arm where it will not affect the balance. M.DIS allows intraoperative viewing and controlling of video recordings and snapshots.

Optionally, an integrated video camera (1 CCD) can be delivered. This reduces the length of the microscope and makes cleaning easier. Small cameras like our C.MOR HD may also be mounted externally.

HS ALLEGRA 30  
with M.DIS

### INTRAOPERATIVE LIGHT MANAGEMENT

HS ALLEGRA 30 contains a filter disk for daylight, softlight, UV protection (yellow filter), blue light (excitation of fluorescence), and green light (better recognition of blood vessels). In addition, two spot diaphragms are integrated against glare.

An additional UV filter may be switched in to protect the surgeon's eyes against damage during UV hardening of the filling material.



Turning knob for the filter disk



# Imaging

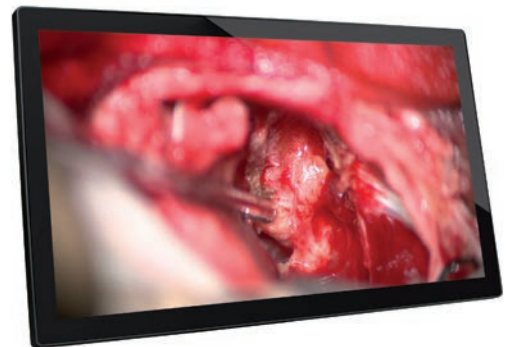
## C.MOR HD

C.MOR HD is a full HD color video camera designed for the HAAG-STREIT SURGICAL microscope. Its ultra-compact camera head houses a 1/3" CMOS sensor that meets very high standards. With a resolution of 900 TV lines and an S/N ratio of 500 dB images are crisp and sharp. Different user settings allow for individual adjustments.



## C.MON HD

With its flat design and the size of 21.5" the brilliant HD monitor C.MON HD can easily be attached to the microscope's floor stand. Its touch function can be operated even with medical gloves. Due to the planar screen and glass surface it can be disinfected easily. For the safety of the system C.MON HD is fully approved for medical use.



## HS MIOS

MIOS stands for **M**icroscope **I**maging and **O**peration **S**ystem. Its prime functions are recording of operation scenes, capturing and recording of snapshots, together with proper identification of patients' and hospital data. Images and video streams can be stored on DVD-R/-RW, HDD, USB flash drive, and external USB hard disk drive or transmitted to the hospital PACS via DICOM.





## Floor Stand Solutions

The floor stands FS 2-11 (halogen) and FS 2-15 (LED) are equipped with newly designed mechanical brakes, which are factory-preadjusted for free-floating movements and stable working positions.

If only little space is available, the floor stand FS 1-12 with mechanical brakes, a 150 W halogen light source, and switchable backup lamp is recommended.



HS ALLEGRA 30  
on floor stand FS 1-12



HS ALLEGRA 30  
on floor stand FS 2-11 / FS 2-15

Ceiling units on request. Subject to alterations.

**HAAG-STREIT SURGICAL GmbH**

Rosengarten 10  
 D-22880 Wedel, Germany  
 Telephone +49-4103-709 04  
 Fax +49-4103-709 355  
 info@haag-streit-surgical.com  
 www.haag-streit-surgical.com

**Members of HAAG-STREIT Group**

HAAG-STREIT Holding AG  
[www.haag-streit-holding.com](http://www.haag-streit-holding.com)

HAAG-STREIT Deutschland GmbH  
[www.haag-streit.de](http://www.haag-streit.de)

HAAG-STREIT AG  
[www.haag-streit.com](http://www.haag-streit.com)

IPRO GmbH  
[www.ipro.com](http://www.ipro.com)

SPECTROS AG  
[www.spectros.ch](http://www.spectros.ch)

CLEMENT CLARKE Ltd.  
[www.clement-clarke.com](http://www.clement-clarke.com)

HAAG-STREIT Medtech AG  
[www.haag-streit-medtech.com](http://www.haag-streit-medtech.com)

HAAG-STREIT UK  
[www.haag-streit-uk.com](http://www.haag-streit-uk.com)

HAAG-STREIT France EURL  
[www.haag-streit.fr](http://www.haag-streit.fr)

John Weiss Ltd.  
[www.johnweiss.com](http://www.johnweiss.com)

HAAG-STREIT Far East  
[www.haag-streit-fareast.com](http://www.haag-streit-fareast.com)

HAAG-STREIT USA  
[www.haag-streit-usa.com](http://www.haag-streit-usa.com)

HAAG-STREIT Surgical GmbH  
[www.haag-streit-surgical.com](http://www.haag-streit-surgical.com)

Reliance Medical Inc.  
[www.haag-streit-usa.com](http://www.haag-streit-usa.com)

MÖLLER-WEDEL GmbH & Co KG  
[www.moeller-wedel.com](http://www.moeller-wedel.com)

Asetronics AG  
[www.asetronics.ch](http://www.asetronics.ch)

MÖLLER-WEDEL Optical GmbH  
[www.moeller-wedel-optical.com](http://www.moeller-wedel-optical.com)

ComLab AG  
[www.comlab.ch](http://www.comlab.ch)

HAAG-STREIT SURGICAL distributes products manufactured by MÖLLER-WEDEL through dedicated representatives as well as national sister companies globally.



HAAG-STREIT SURGICAL as well as MÖLLER-WEDEL maintain a Quality Management System for Medical Products according to ISO 13485. MÖLLER-WEDEL is not only developing innovative products but also producing them conscious to the environment. Fulfilling an Environmental Management System according to ISO 14001 is the guide line. Both, the Quality as well as the Environmental Management System, are certified by TÜV.



All products are conform to the EC guidelines and thus CE labeled.





# HS ALLEGRA 30

Technical Data

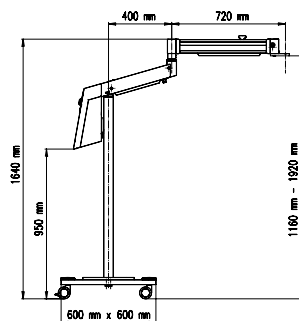




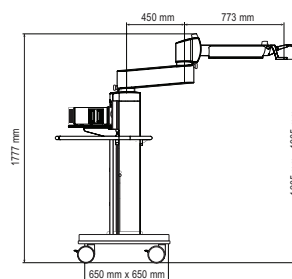
## Technical Data HS ALLEGRA 30

### Microscope HS ALLEGRA 30

Stereo base	25 mm
Working distance	237 mm to 263 mm
Manual magnification changer	5 steps, 2.2x to 21.3x changer
Diameter of the visual field	10.0 mm to 96.6 mm
Illuminated field	4 mm to 90 mm
Eyepiece head (12.5x oculars)	fix, 0°
Diopter settings	-7 D to +7 D
Inclination angles	-55° to +95°
Lateral tilt	+/-45°
Rotation	338°
Brakes	mechanical, soft-glide
Filter disk	2 diaphragms, 5 filters
Surg. protection filter	UV
Weight (with accessories)	5.5 kg



Floor stand  
FS 1-12



Floor stands  
FS 2-11 / FS 2-15

Floor stands	FS 1-12	FS 2-11	FS 2-15
Arm reach (max.)	1120 mm	1223 mm	
Swivel area	2 x 360°	2 x 300°	
Door height	1640 mm	1777 mm	
Floor stand carriage	600 mm x 600 mm	650 mm x 650 mm	
Carrying capacity	4.5 kg to 9.0 kg	4.0 kg to 15.0 kg	
Brakes	mechanical	mechanical, preadjusted	
Balancing	mechanical		
Height at oculars	940 mm to 1700 mm	1065 mm to 1745 mm	
Illumination	2 x 150 W halogen	2 x 150 W halogen	2 x 50 W LED
Protection filter	UV, IR		
Operating voltage	100 VAC, 115 VAC, 230 VAC, 240 VAC; 50/60 Hz; selectable		
Max. power consumption	400 VA	600 VA	450 VA
Weight	80 kg	198 kg	

Ceiling units on request. Subject to alterations.